

Summary of Listing for warringtonfire – mideast

Listing No: 008

RAMESH HIRA LLC

POWRMATIC 'OPENSKY' LOUVRE ROOF VENTILATORS

Scope of Summary

This Summary has been prepared by warringtonfire and is a summary of the test reports referenced below. Full details of the ventilator construction, test methodology and achieved results, along with limitations are given in the supporting test reports.

This summary sheet covers vertically orientated, roof mounted, 'OPENSKY' louvre roof ventilators as previously fire tested by warringtonfire in accordance with the tests described in Appendix B (temperature rise and expansion test) and Appendix C (fire/heat test) of BS 7346: Part 1: 1990 'Components for smoke and heat control systems, Part 1: Specification for natural smoke and heat exhaust ventilators' up to the maximum sizes as shown.

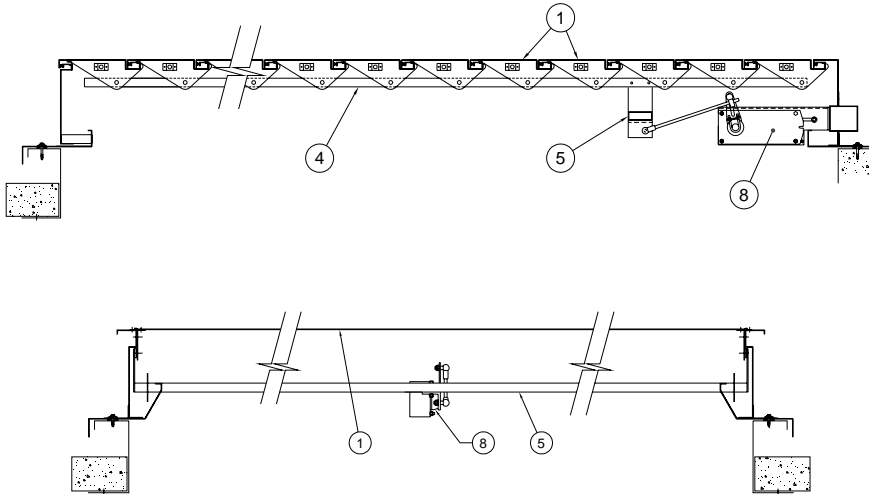
The ventilators have been tested successfully against the 'heat testing' criteria as specified in Clause 4.7 and 4.9 of BS 7346: Part 1: 1990.

Test Report Reference	Period of Validity
WFRC Test Report No. 145408/A	Until 1 st June 2010
WFRC Test Report No. 145408/B	Until 1 st June 2010

Table 1 – Maximum Permitted Ventilator Dimensions (internal opening)	
Maximum Ventilator Length (mm)	Maximum Ventilator Width (mm)
3470	2000

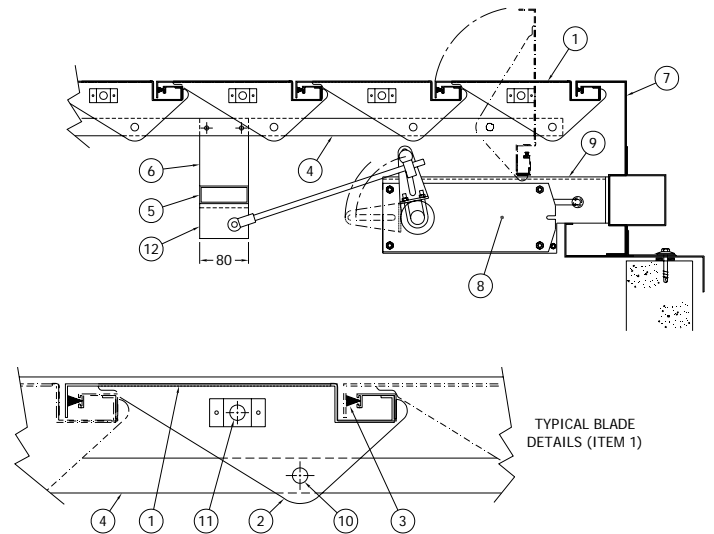
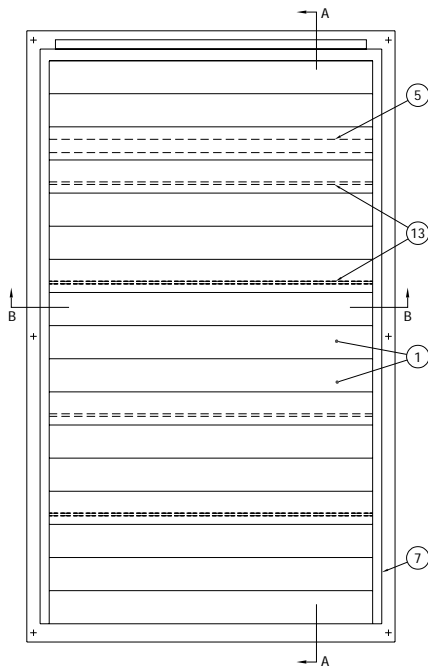
Table 3 – Approved Actuator	
Type	Reference
Electric	Belimo AF 24 (240v D.C.)

Figure 1 – Ventilator Details



Key:

1. Aluminium blade
2. Aluminium blade pivot bracket
3. Blade seal
4. Mild steel linkage bar
5. Aluminium cross bar
6. Steel cross bar end-plate
7. Aluminium casing
8. Actuator
9. Aluminium mounting plate
10. Aluminium Linkage pin
11. Aluminium blade shaft
12. Aluminium angle bracket
13. Stainless steel tie bar



This Test Summary is based upon a test report, as referenced above, prepared by warringtonfire. Full details of the ventilator construction, test methodology and achieved results, along with limitations are given in the supporting test report.

*This test summary has been compiled between **warringtonfire** and **Ramesh Hira LLC**. It is intended to provide a brief outline of the above referenced test report and not to replace it.*

Full copies of the test report may be obtained from:
RAMESH HIRA LLC, P.O. Box 50673, Dubai, United Arab Emirates
 Tel : +971 4 3478115
 Fax : +971 4 3478225