
CERTIFICATE OF APPROVAL

No. ME0042

This is to certify that the referenced product of

PYROPLEX LIMITED

The Furlong, Droitwich, Worcestershire, WR9 9BG, UK

Tel: +44 (0) 1905 795432

Fax: +44 (0)1905 795757

Web site: www.pyroplex.com

has been assessed against the requirements of the *warringtonfire – mideast certification scheme* and is approved for use within the scope of any test and/or assessment report(s) referenced.

PYROPLEX 30 MINUTE FIRE RESISTANT GLAZING SYSTEM 8193 CHANNEL

This Certificate of Approval relates to the contribution to fire resistance of the Pyroplex 30 Minute Fire Resistant Glazing System 8193 Channel when used in timber door leaves, for periods of 30 minutes integrity, as defined in BS 476: Part 22: 1987 subject to the undermentioned conditions.

Pyroplex 30 Minute Fire Resistant Glazing System 8193 Channel consists of the following elements:

- i) Low expansion graphite based intumescent glazing system
- ii) Hardwood retaining beads of a specific design and minimum density 630 kg/m^3
- iii) Screw fixings, via the retaining beads
- iv) A minimum 6 mm thick hardwood liner around the perimeter of the aperture

The system is used at the perimeter of a pane of fire resisting glass to provide an effective seal between the glass and substrate within a door leaf.

This Certificate of Approval relates to timber based door leaf constructions consisting of timber faces coupled with timber or other cellulosic cores of not less than 40 mm overall leaf thickness.

CERTIFICATE No. ME0042
PYROPLEX LIMITED

PYROPLEX 30 MINUTE FIRE RESISTANT GLAZING SYSTEM 8193 CHANNEL

Pyroplex '8193' 30 minute glazing seal

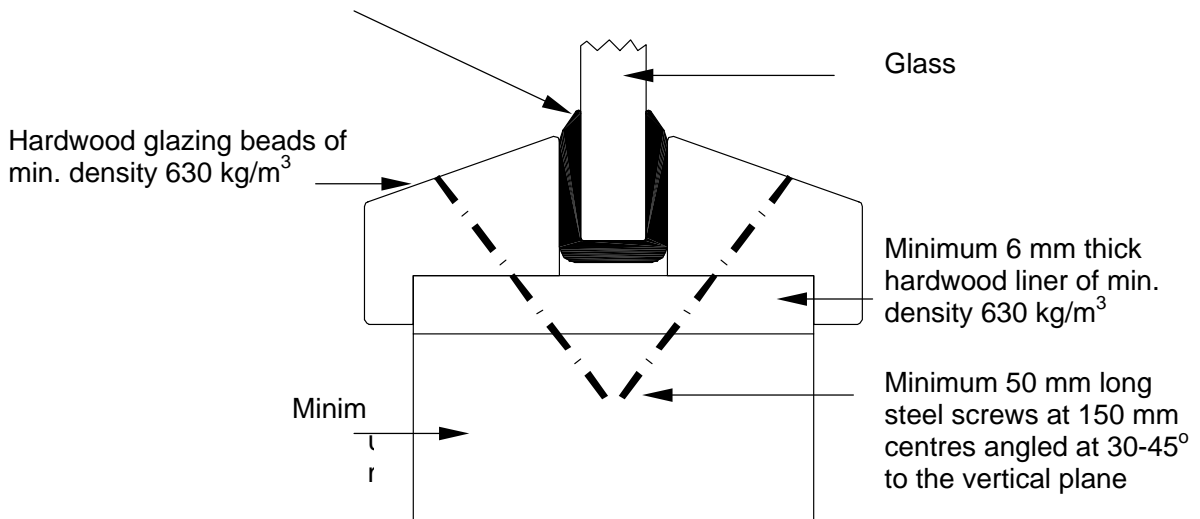


Figure 1. Cross-Section Through Glazing System

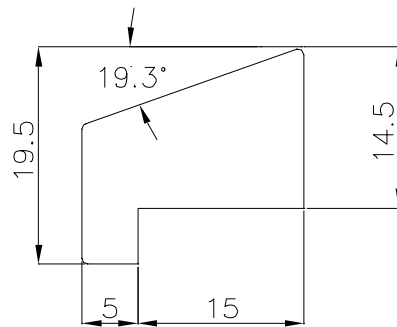


Figure 2. Cross-Section Through Glazing Bead

CERTIFICATE No. ME0042
PYROPLEX LIMITED

**PYROPLEX 30 MINUTE FIRE RESISTANT GLAZING SYSTEM 8193
CHANNEL**

The Pyroplex 30 Minute Fire Resistant Glazing System 8193 Channel may be fitted to previously tested door leaves provided that the particular aspects of the door assembly are maintained. These are described below but are not exhaustive:

1. The doorset, including door frame and associated building hardware, should have achieved at least 30 minutes integrity when tested or subsequently assessed to BS 476: Part 22: 1987.
2. If the proposed doorset is to be used in double-leaf configuration, the test or assessment evidence should be applicable to double-leaf configurations.
3. If the proposed doorset is to be used in the unlatched configuration the test or assessment evidence should be applicable to unlatched doorsets.
4. The proposed doorset should also have included a glazed aperture or apertures of the intended size, shape, area and number.
5. Neither the maximum aperture size in this certificate nor in the door certificate shall be exceeded.

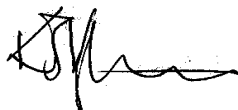
The following glasses may be used: Pyroshield Safety, Pyrostem, Pyrodur Plus, Pyroguard C/W.

Neither the aperture height nor width shall exceed 600mm (maximum area 0.36m²)

If glazed in this way the proposed installation of the Pyroplex '8193' Glazing System is not expected to adversely affect the fire resistance performance of the door assembly.

Certification is awarded on the basis of initial type testing to BS 476: Part 22 and BS 476: Part 31.1 as appropriate, initial inspection and ongoing surveillance of factory production control, and ongoing compliance with the scheme requirements including the use of labels supplied by warringtonfire. The currency of the certification may be verified at www.warringtonfire.net/mideast.

Signed and sealed for and on behalf of Warrington Certification



Sir Ken Knight
Chairman - Management Council

Issued: 24th October 2006
Valid to: 23rd October 2011