
CERTIFICATE OF APPROVAL

No. ME0045

This is to certify that the referenced product of

PYROPLEX LIMITED

The Furlong, Droitwich, Worcestershire, WR9 9BG, UK

Tel: +44 (0) 1905 795432 Fax: +44 (0)1905 795757

Web site: www.pyroplex.com

has been assessed against the requirements of the *warringtonfire – mideast certification scheme* and is approved for use within the scope of any test and/or assessment report(s) referenced.

PYROPLEX FG 60, One Hour Glazing System

This Certificate of Approval relates to the contribution to fire resistance of the Pyroplex FG60 Glazing Systems when used in timber door leaves, for periods of 60 minutes integrity, as defined in BS 476: Part 22: 1987 subject to the under mentioned conditions.

Pyroplex FG60 Glazing Systems consist of the following elements:

- i) Pyroplex glazing strip – product reference '30095'
- ii) Hardwood retaining beads of a specific design and minimum density 620 kg/m³
- iii) 65mm long by 4mm diameter steel screw fixings, via the retaining beads
- iv) Pyroplex glazing liner – product reference '30096'

The system is used at the perimeter of a pane of fire resisting glass to provide an effective seal between the glass and substrate within a door leaf.

This Certificate of Approval relates to timber based door leaf constructions consisting of timber faces coupled with timber or other cellulosic cores of not less than 54 mm overall leaf thickness.

CERTIFICATE No. ME0045
PYROPLEX LIMITED

PYROPLEX FG60 ONE HOUR GLAZING SYSTEM

The figures below show the relevant dimensions of the 'FG60' Glazing System and basic glazing details:

The glass shall be glazed within a previously fire tested or CERTIFIRE approved timber based doorset utilising the following basic specification:

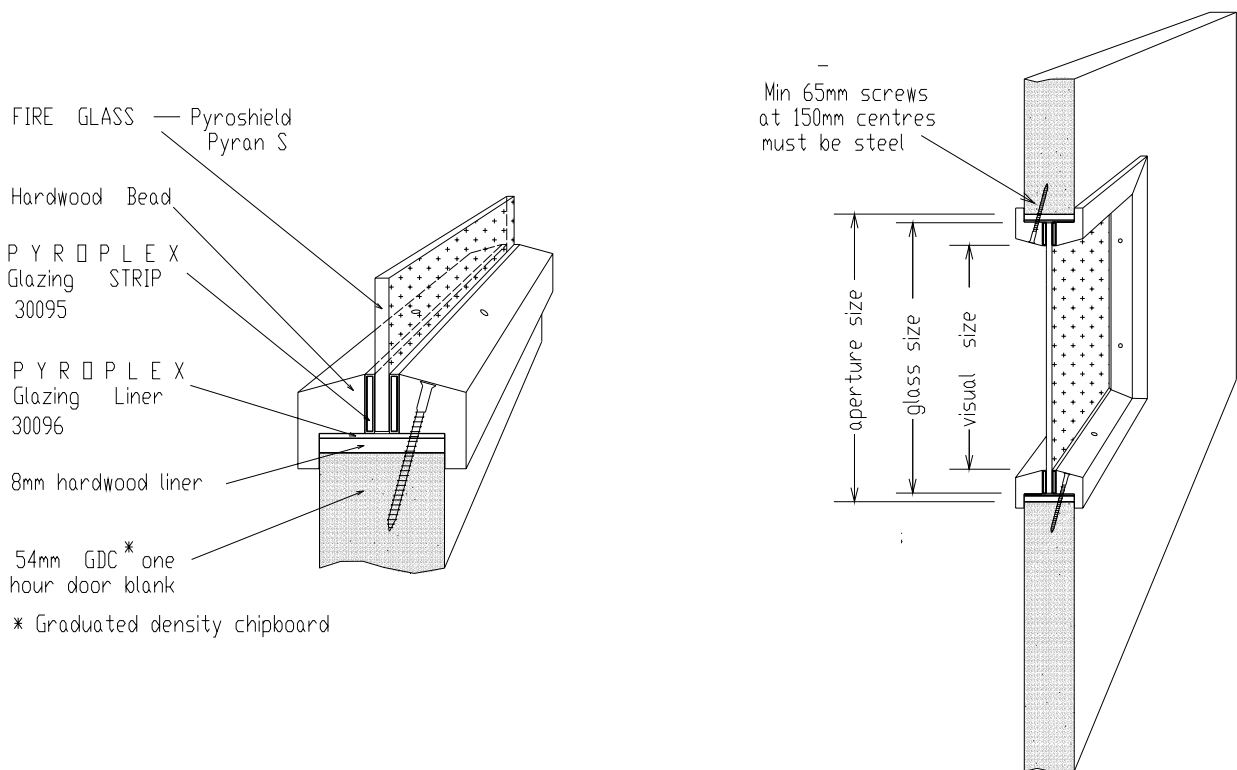


Figure 1. Cross-Section Through Glazing System

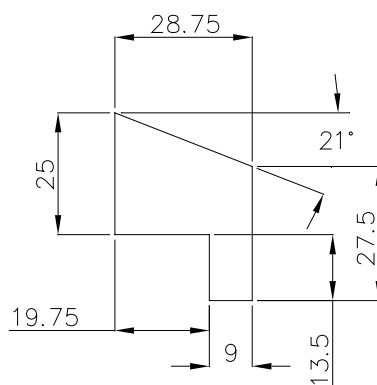


Figure 2. Cross-Section Through Glazing Bead

CERTIFICATE No. ME0045
PYROPLEX LIMITED

PYROPLEX FG60 ONE HOUR GLAZING SYSTEM

This Certificate of Approval relates to the following glasses when used in conjunction with the 'FG60' Glazing System at the maximum sizes shown in Table 1 and Figure 3 below:

Glass	Maximum Aperture Height	Maximum Aperture Width	Maximum Aperture Area
Pyroshield	540 mm (at 500 mm wide)	540 mm (at 500 mm high)	0.27 m ²
Pyran S	540 mm (at 500 mm wide)	540 mm (at 500 mm high)	0.27 m ²

Table 1. Acceptable Glass Dimensions

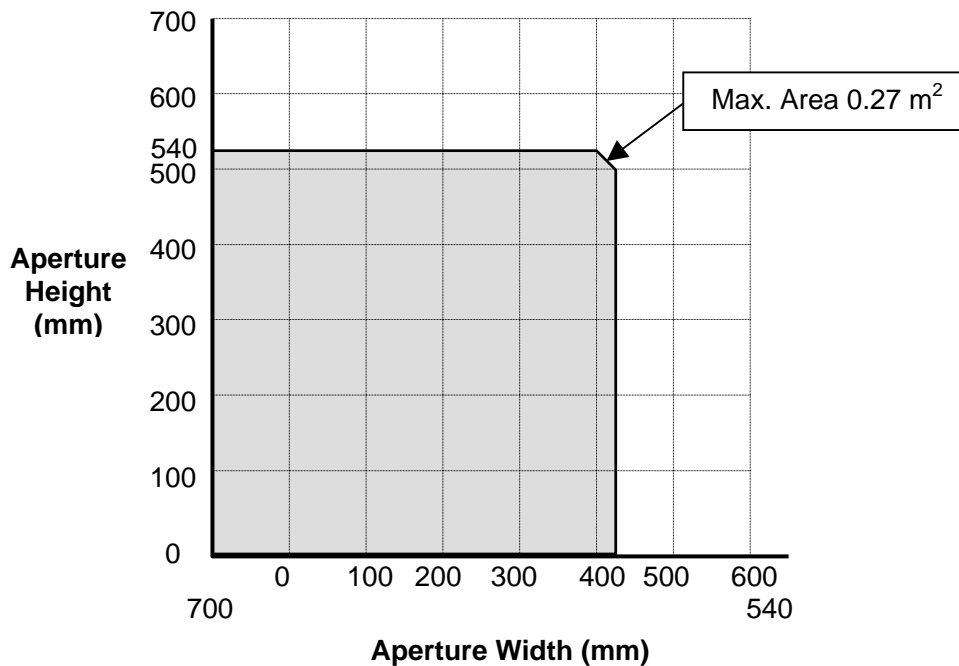


Figure 3. Acceptable Glass Dimensions

* Aperture dimensions shall fall within shaded area as detailed above.

CERTIFICATE No. ME0045
PYROPLEX LIMITED

PYROPLEX FG60 ONE HOUR GLAZING SYSTEM

This Certificate of Approval relates to the glazing system used in timber based door leaf constructions consisting of timber faces coupled with timber or other cellulosic cores of not less than 54 mm overall leaf thickness.

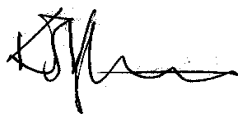
The 'Pyroplex FG60 One Hour Glazing System' may be fitted in the manner described in this Certificate of Approval, to previously tested door leaves provided that the particular aspects of the door assembly are maintained. These are described below but are not exhaustive:

1. The doorset, including door frame and associated building hardware, should have achieved at least 60 minutes integrity when tested or subsequently assessed to BS 476: Part 22: 1987.
2. If the proposed doorset is to be used in double-leaf configuration, the test or assessment evidence should be applicable to double-leaf configurations.
3. Likewise, if the proposed doorset is to be used in the unlatched configuration the available evidence should be applicable to unlatched doorsets.
4. The proposed doorset should also have included a glazed aperture or apertures of the intended size, shape, area and number.
5. Neither the maximum aperture size in this certificate nor in the door certificate shall be exceeded.

If glazed in this way the proposed installation of the 'Pyroplex FG60 One Hour Glazing System' is not expected to affect the fire resistance performance of the doorset.

Certification is awarded on the basis of initial type testing to BS 476: Part 22, initial inspection and ongoing surveillance of factory production control, and ongoing compliance with the scheme requirements including the use of labels supplied by warringtonfire. The currency of the certification may be verified at www.warringtonfire.net/mideast.

Signed for and on behalf of Warrington Certification



Sir Ken Knight
Chairman - Management Council

Issued: 15th January 2007
Valid to: 14th January 2012