

CERTIFICATE OF APPROVAL
No. ME007

This is to certify that the referenced product of

IBRAHIM ALBANAI SAFETY EQUIPMENT

Al Quoz Industry - 4 P.O. Box 50673, Dubai, United Arab Emirates
Tel: (+971-4) 3478115 Fax: (+971-4) 3478225

has been assessed against the requirements of the *warringtonfire – mideast certification scheme* and is approved for use within the scope of the test and/or assessment report(s) referenced.

Dynair Industrial Ventilation ‘CC-HT’ Powered Axial Smoke and Heat Exhaust Fans

| Report References | Valid Until |
|--|--------------------------------|
| WARRES No. 109982 | 17 th February 2005 |
| WF Report No. 148580 (revalidation of WARRES No. 109982) | 1 st October 2010 |

| Classification | |
|--|--|
| Product Reference | Class of Performance |
| CC-HT (fitted with Brook Hansen UDF 132MZ,KW7.5,POLE 4,B3) | Class (2 hours @ 400°C) Class (2 hours @ 300°C) |

| Approved impellor dimensions | |
|------------------------------|-------------------|
| Product Reference | Diameter |
| CC-HT | 396 mm to 1584 mm |

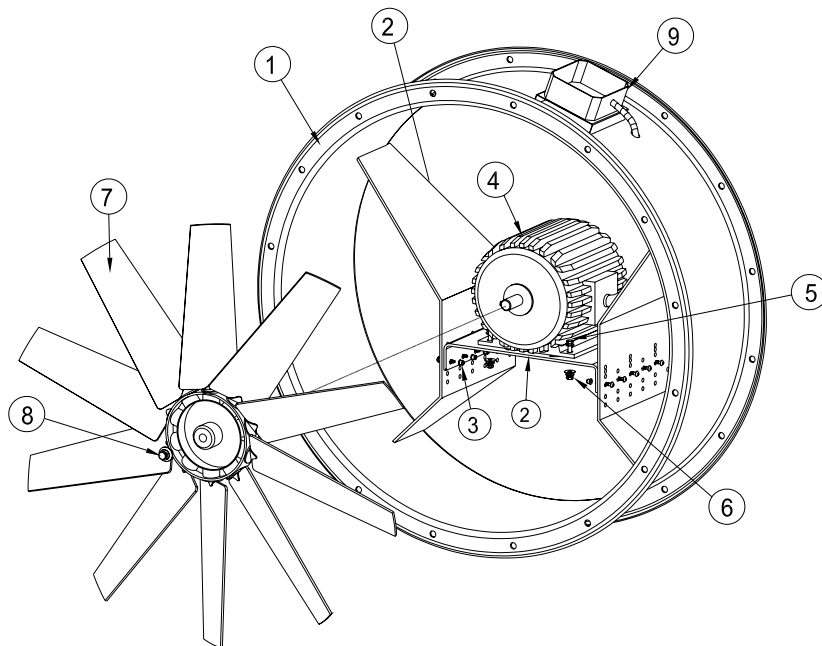
CERTIFICATE OF APPROVAL
No. ME007

Dynair Industrial Ventilation 'CC-HT' Powered Axial Smoke and Heat Exhaust Fans

FIGURE 1 – FAN DETAILS

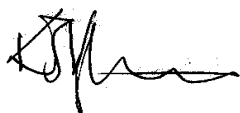
Key:

1. Casing
2. Motor support
3. Rivet and Collar
4. Motor – Brook Hansen
UDF 2MZ,KW7.5,POLE 4,
B3
5. Fixing for motor
6. Fixing for motor
7. Impellor (aluminium)
8. Fixing for impellor
9. External terminal box



Certification is awarded on the basis of initial type testing to BS 7346: Part 2: 1990 (Clause 4.3) together with initial inspection and ongoing surveillance of factory production control, and ongoing compliance with the scheme requirements including the use of labels supplied by warringtonfire. The currency of the certification may be verified at www.warringtonfire.net/mideast.

Signed for and on behalf of Warrington Certification



Sir Ken Knight
Chairman - Management Council

Issued: 21st November 2006
Revised: 16th June 2008
Valid to: 20th November 2011